

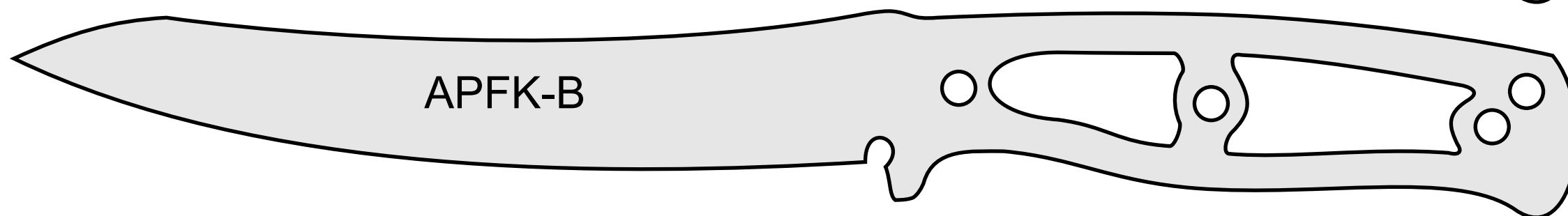
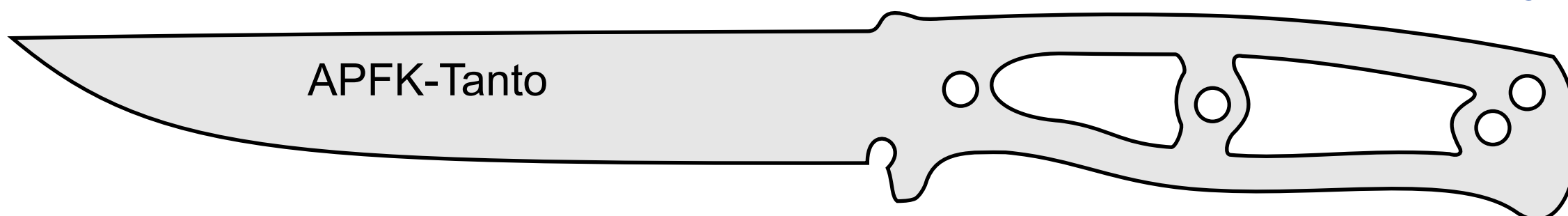
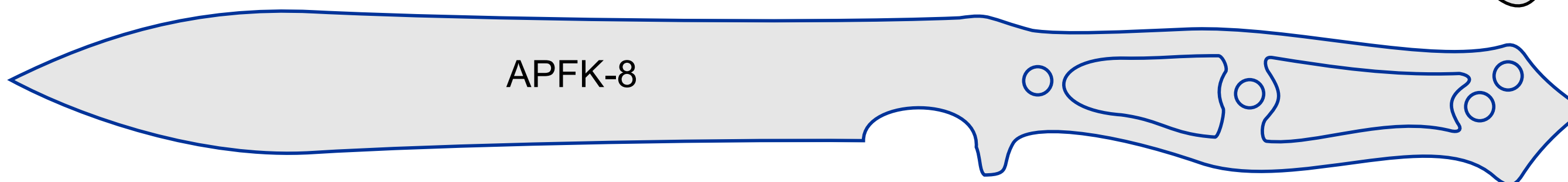
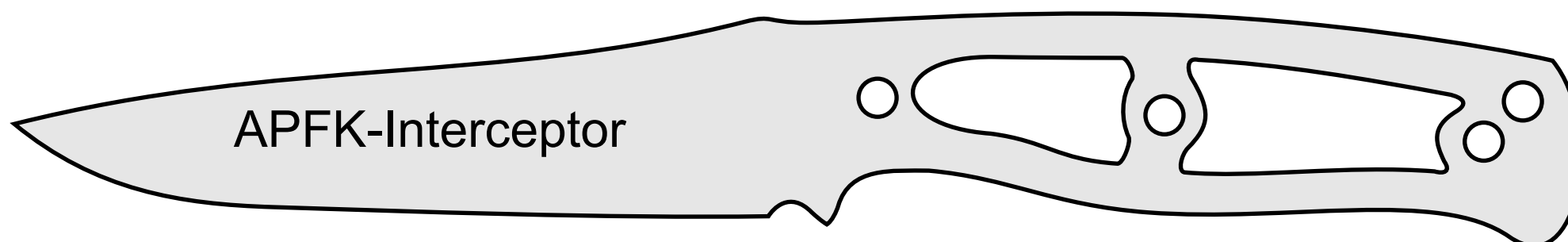
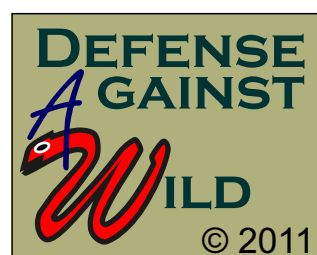
## THE APFK LINE OF KNIVES

All Share the Exact same Handle Guard Profile. The Purpose of all these is the same (All Purposes Fighting Knives) Each Will meet this goal, Each will excel differently in Secondary tasks

A TYPICAL OUTDOORS KNIFE should excel in day to day cooking, hunting and utility chores, and will Likely perform adequately well when employed in a fighting or Dispatching Role.

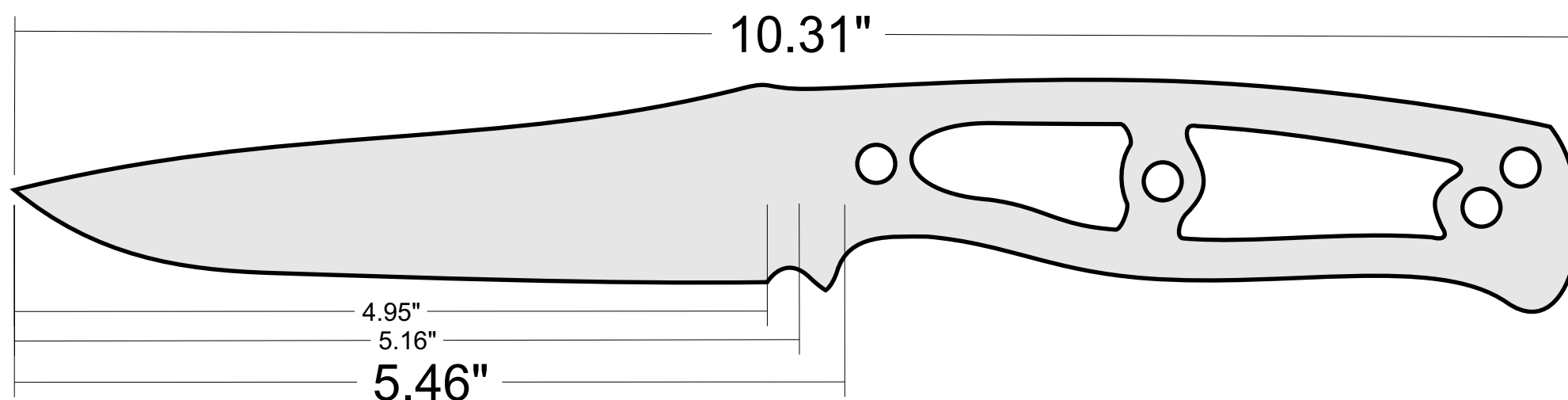
What Sets the APFK Line apart from the Normal cKc Offerings is that the APFK line are first and FORMOST intended for Military or Civilian Self-Defense, or Attack purposes. They are designed to Excell in this role.

Each APFK is also designed to perform Admirably well in normal Outdoor, and Utility Tasks as a secondary function.



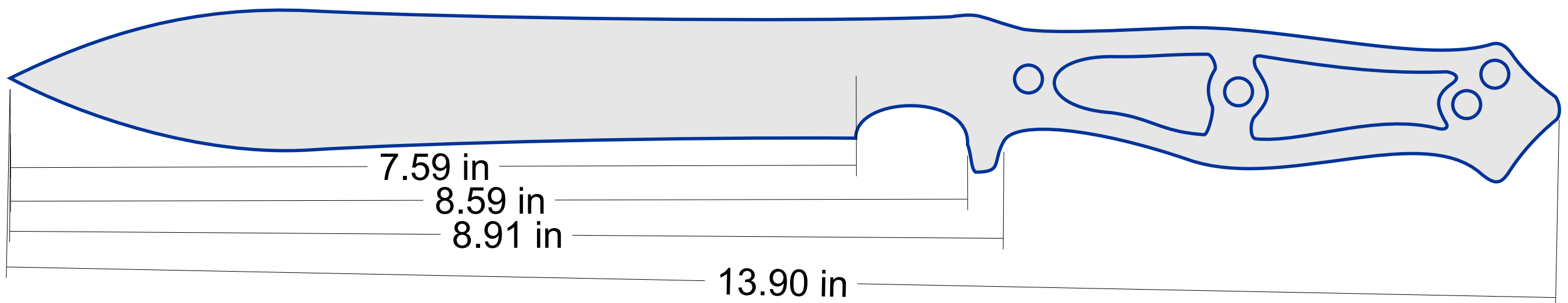
## THE APFK LINE OF KNIVES

All Share the Exact same Handle Guard Profile (except the -8). The Purpose of all these is the same (All Purposes Fighting Knives) Each Will meet this goal, Each will excel differently in Secondary tasks



The Interceptor is the most compact defense against wild blade. Designed to be compact enough to carry easily, yet have enough length to deal with vital parts. Will cut and slice adequately for secondary tasks but is sturdy and strong for piercing and slashing applications.

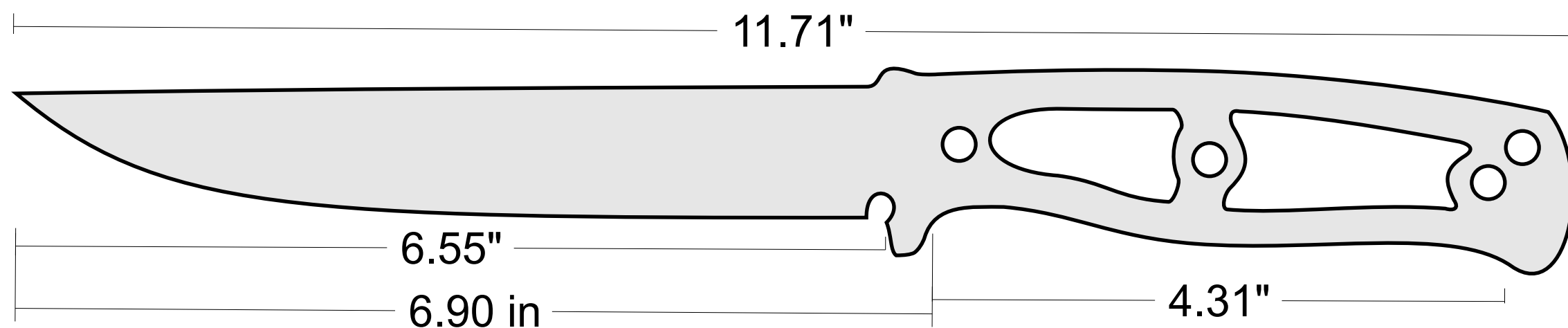




The APFK-8 is a Large Long Blade. This will be suitable for fighters that want more reach, or campers that need a long heavy blade, but without the thick bulky profile of a Bowie or Chopper. The forward weight and thickness of this blade will allow it to chop quite well and give good reach for basic hiking, camping and trail clearing. The leanness and tough nature of the knife will make it perfect for defense against wildlife of all kinds.

## THE APFK LINE OF KNIVES

All Share the Exact same Handle Guard Profile (except the -8). The Purpose of all these same (All Purposes Fighting Knives) Each Will meet this goal, Each will excel differently in Secondary tasks



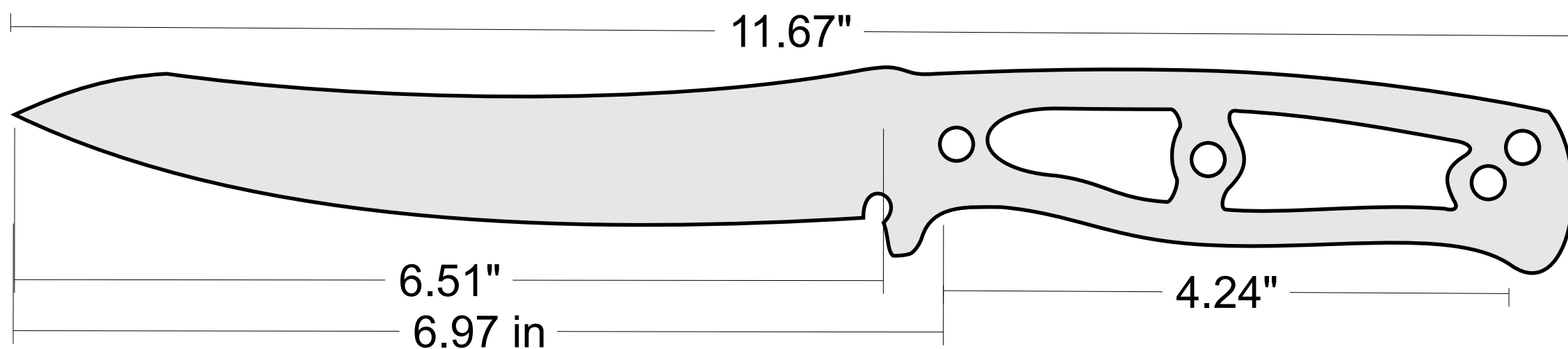
The APFK-Tanto is expressly designed to be a dedicated military knife for last resort take downs. the lean body and narrow stout tip is idea for vest and body entry without much hinderance or blockage that comes from much wider blade designs like classic Bowies. Like the Randall 1-7, this is a thick lean fighter fully intended for dispatch. The blade grind will also be an Adequate slicer and cutter for normal knife duties.

THIS IS VERY SIMILAR to the BOWIE.. this has an Even Leaner body, and leaner tip, which will pierce very well, but will sacrafice some cutting ability slightly, and will be a slightly lighter blade.



## THE APFK LINE OF KNIVES

All Share the Exact same Handle Guard Profile (except the -8). The Purpose of all these is the same (All Purposes Fighting Knives) Each Will meet this goal, Each will excel differently in Secondary tasks



The APFK-B Shares the Same Body and blade length as the Tanto. The difference with this blade is the Single Side waisted Dagger design. The Tip is very sturdy. The curve of the blade gives greater cutting edge. in slashing and reverse grip stabbing this blade point direction is comfortably inline with the arm rotation. once the point is in, the curvature will open and increase the cut width very quickly. The Waisted Dagger Spine reduces friction and eases entry. This blade will be an excellent Hand-To-Hand Combat knife for front and reverse grip slashing, and it will also offer a very natural stabbing and entry opening.

